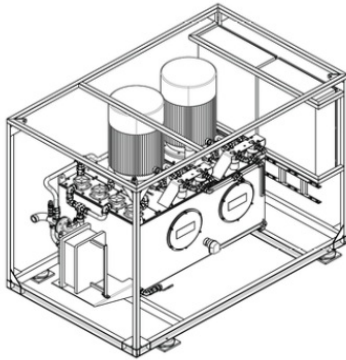


220KW HYDRAULIC POWER UNIT (HPU)

220kW HPU suitable for powering deck machinery such as winches or A-frames, etc. Unit is as-new with limited use and manufactured to safe area specification. See below for further details.



MAIN DETAILS:

LISTING ID: 3233
Manufacturer: tbc/unknown
Year built: 2020
Location: Europe

DETAILS:

Technical specification as follows:

- Dimensions: Length 2935 mm, Width 1796 mm, Height 2218 mm
- Weight: 3200kg
- Motors: 2x 110kW, 380V, 50Hz motors
- Working pressure: 300bar
- Flow: 380l/min
- Tank capacity: 1500 litres
- Comes with heaters and local control panel

Contact us for more info and pricing